

LITHIUM

LiFePO4

LITHIUM (LiFePO4) | High Performance

REF **BSLi-04**



12V VOLTAGE

48Wh ENERGY

280A CCA

TECHNOLOGY

- Lithium Iron Phosphate cells construction
- Pre-charged batteries
- Homologated by OEM

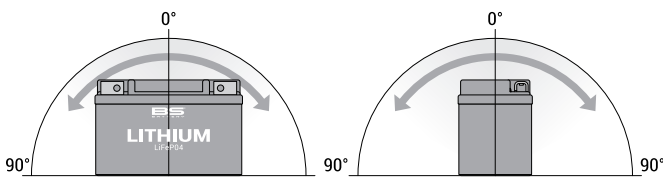
FEATURES

- Fast charging
- Multi-positioning mounting
- Very safe and environmental friendly
- Extensive cycle life: over 2000 cycles
- Very low self-discharge
- Cold temperature performance
- Waterproof design
- Ready to use: just plug and play
- Robust brass terminals
- Heat resistance: up to 230 C°
- Lighter weight

REPLACEMENTS

BTZ10S	BT12B-BS	BT14B-BS	BB14A-A1/A2
BT12B-4	BB12A-A/A-B	BB12C-A	12N12A-4A-1
BT14B-4	BB12B-B2	BB14-A2	
BTX14AH	BTX14AH-BS	BB14-B2	

MOUNTING ANGLE

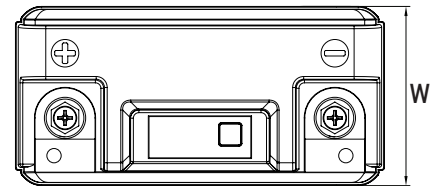
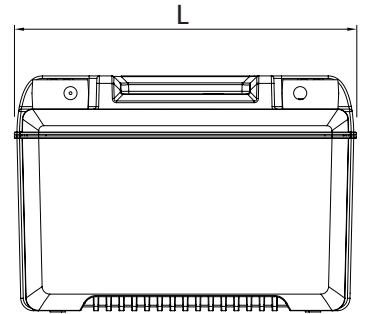
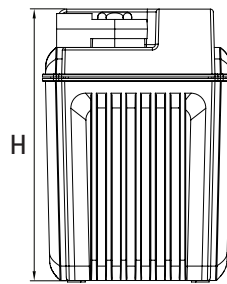


High inclinasion

NON-SPILLABLE

DIMENSIONS & WEIGHT

Length (L): 134±1mm
 Width (W): 65±1mm
 Height (H): 92±2mm
 Weight: 0.95kg (tolerance ±3%)



TERMINALS

